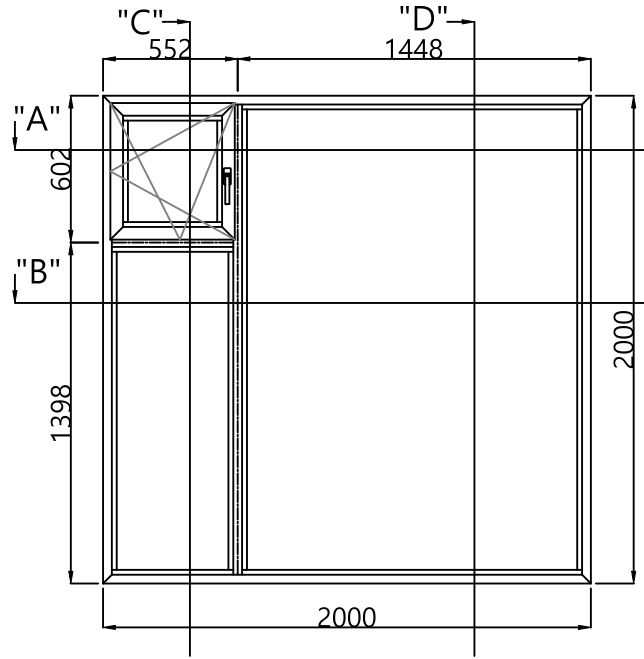
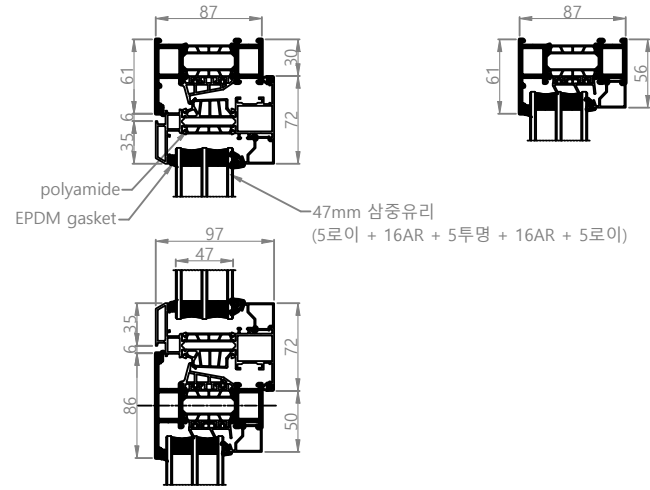


WITHJIS - High End Window
WT 90

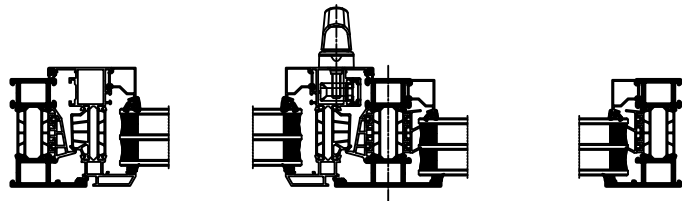


ELEVATION (INTERIOR VIEW)

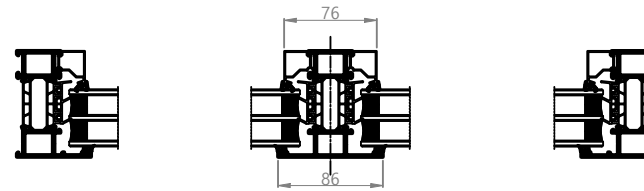


section "C"

section "D"



section "A"



section "B"

PROJECT TITLE	
CLIENT	
NOTE	
22T:	5CL+12SWS+5CL
24T:	5CL+14SWS+5CL
39T:	5CL+12SWS+5CL+12SWS+5CL
43T:	5CL+14SWS+5CL+14SWS+5CL
47T:	5CL+16SWS+6CL+16SWS+5CL
<p>위드지스 DRAWN KJ</p>	
REV. NO.	ISSUE & DATE
APPROVE	
CHECKED BY	
DRAWN BY	
PROJECT NO.	
SCALE	A3
	A4
DATE	
DRAWING TITLE	
SHEET NO.	
DRAWING NO.	